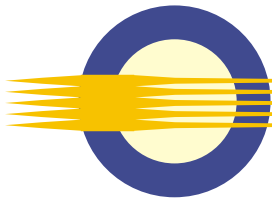


PREWO[®]

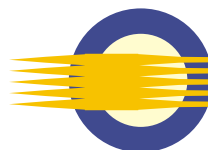


AUTO FEED BENCH DRILLING MACHINE

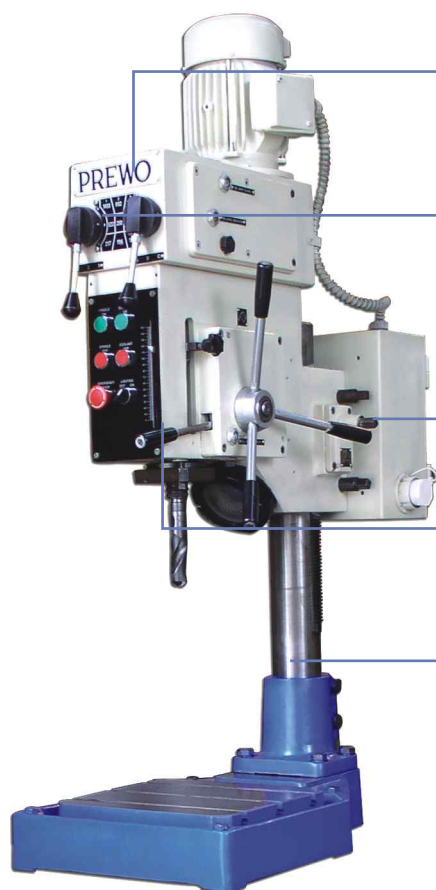


MODEL 12-32

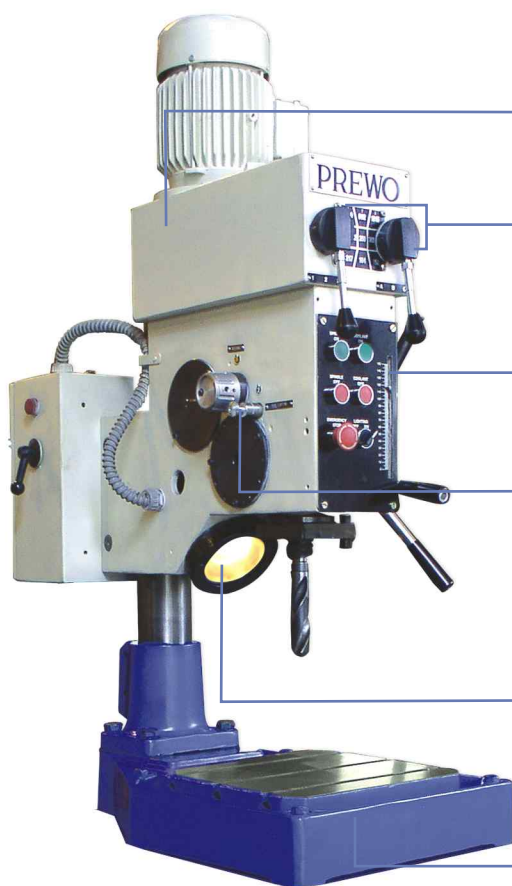
High Precision, High Production Drilling Machine



DESIGN FEATURES



- The bench type drilling machine model 12-32 with geared head is streamlined yet extremely robust in construction.
- The gear box is lubricated by oil pump.
- The head can be moved up and down by manual rack & pinion mechanism.
- The auto feed mechanism is activated by engaging the mechanical clutch lever. Depth repeatability will be $\pm 0.25\text{mm}$
- Built to accuracy as per BIS 2426-1963 it has a solid steel column.



- The high quality steel gears, quill and main spindles are hardened and ground.
- The operator has direct access to a 9 speed gear box with 2 levers for speed shift and speed on the front of the machine.
- Depth scale and adjustable depth stopper provided for depth setting.
- Tool ejector provided for easy tool removal from spindle.
- A work light is provided on the machine for operator convenience.
- Base made of Grey Cast Iron provided with ground surface and 3 T-Slots

HYDRAULIC FEED



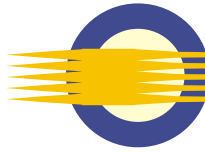
FEED WITH HYDRAULIC UNIT :

Feed control is with hydraulic feed unit with power pack, controls and fittings. The hydraulic feed rack is engaged with pinion and it is actuated by the cylinder rod. It transmits the motion to the pinion shaft and the quill will come down. Stroke control and rapid to feedrate switch over and return is by limit switches.

FEATURES :

- ▶ Rapid feed upto a set depth (setting by limit switch) and rapid return to home position after finishing drilling. Hence, cycle time is minimised.
- ▶ Fine depth adjustment by adjusting the knurled knob with fine adjustment stud.
- ▶ Variable feed by regulation of control valve.
- ▶ Depth control can be achieved within $\pm 0.15\text{mm}$ by means of mechanical stopper which will also take care of backlash.
- ▶ Provision of dwell for spot facing and smooth finishing.
- ▶ Counterweight arrangement not required for multi heads.
- ▶ Peck feed drilling with the help of PLC system for deep hole drilling.

Saves time



SPECIFICATION

AUTOFEED DRILLING MACHINE - MODEL 12-32

TECHNICAL SPECIFICATION

All dimension are in mm

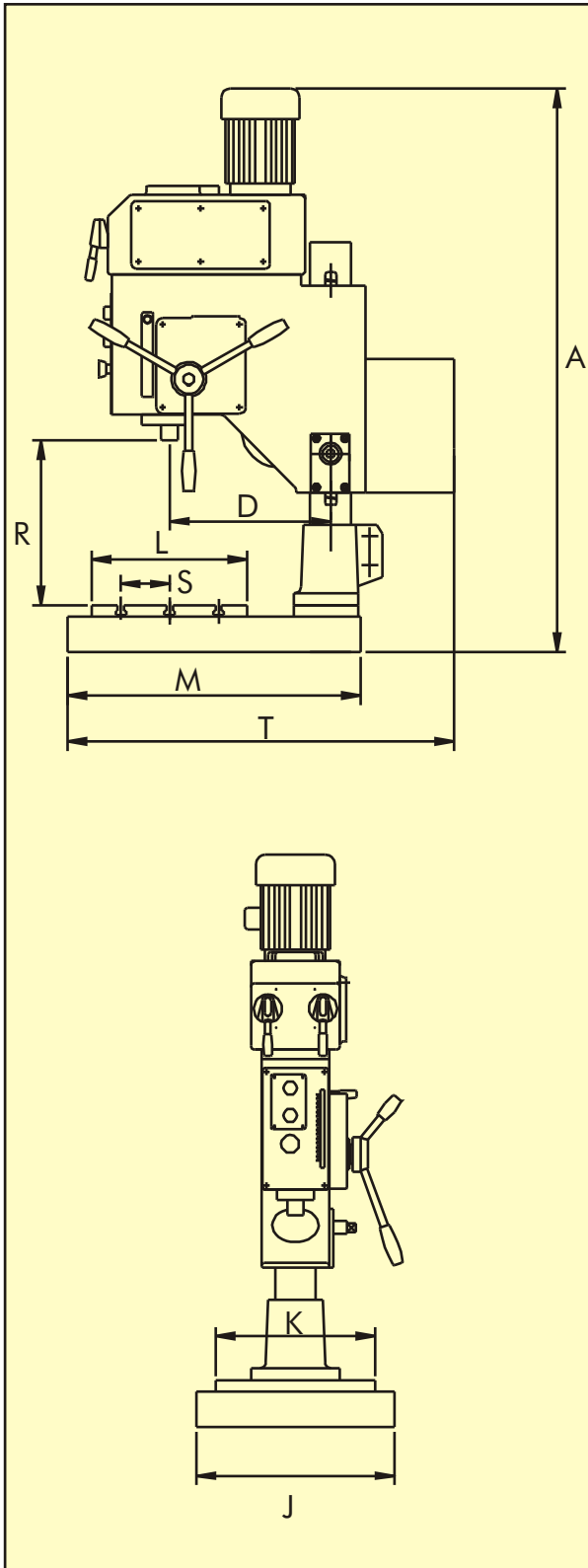
MAXIMUM DRILLING CAPACITY IN STEEL	mm Ø	20
MAXIMUM DRILLING CAPACITY IN CAST IRON	mm Ø	22
MAIN MOTOR	KW/HP	1.2 / 1.5
SPINDLE SPEEDS	Nos.	9
RANGE RPM		104,152,217, 250,365,522, 692,1015,1450
POWER FEEDS	Nos.	2
RANGE OF FEEDS	mm/rev.	0.1 - 0.2
MORSE TAPER IN SPINDLE	—	MT - 3
QUILL DIAMETER	mm	65
MAXIMUM SPINDLE TRAVEL	mm	150
NUMBER OF T-SLOTS IN BASE	Nos.	3
WIDTH OF T-SLOTS	mm	14H8

DIMENSIONAL SPECIFICATION

All dimension are in mm

OVERALL HEIGHT (BASE TO M/C TOP)	A	1150 - 1450
DISTANCE BETWEEN SPINDLE CENTRE TO COLUMN CENTRE	D	362.5
WIDTH OF BASE	J	445
WORKING AREA OF BASE - WIDTH	K	360
WORKING AREA OF BASE - LENGTH	L	340
LENGTH OF BASE	M	670
HEIGHT FROM BASE TO SPINDLE FACE	R	220 - 520
DISTANCE BETWEEN T-SLOTS	S	110
OVERALL LENGTH OF MACHINE	H	950
HEIGHT X WIDTH X LENGTH	mm	1450 X 950 X 445

OPTIONAL FEED : HYDRAULIC FEED UNIT FOR DEPTH CONTROL



PREWO[®]

Peevee Precision Works Private Ltd.

B-16, Thiru. Vi. Ka. Industrial Estate, Guindy, Chennai - 600 032

Phone: +91-44-22501516, 22500649, Fax: +91-44-22501086

E-mail: prewo@prewo.co.in

Website: www.prewo.co.in

All specifications subject to change. We reserve the right to change product specifications as part of product improvement